

Ball Valve

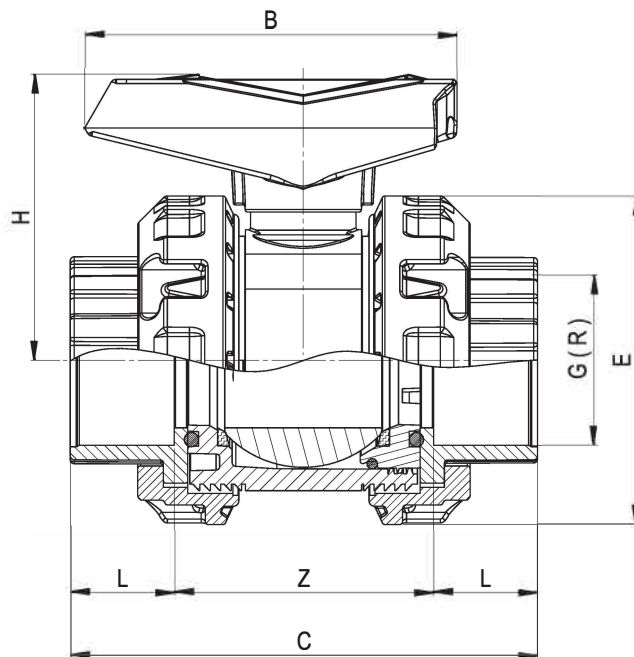
Patented
product



Adjustable ball pressure as well as patented union screwing with handle.

Teflon seats.

EPDM o-rings. PN16.



Available in 2 models

- Slip Connection
- Threaded Connection

Slip Connection

mm / inch	Code 1 / Code 2	B	H	G / ASTM	E	L	Z	C	PN	Box
20 / -	131111 / -	80	52	36 / -	48	17	62	103	16	60
25 / -	131112 / -	89	61	25 / -	56	20	71	117	16	60
32 / 1"	131113 / 131113ASTM	99	64	31 / 33.4	66	22	76	130	16	20
40 / 1-1/4"	131114 / 131114ASTM	114	76	40 / 42.2	81	25	87	148	16	12
50 / 1-1/2"	131115L / 131115LASTM	116	90	50 / 48.3	100	32	71	140	16	6
63 / 2"	131116L / 131116LASTM	138	106	63 / 60.3	122	39	90	172	16	6
75 / 2-1/2"	131117L / 131117LASTM	161	113	75 / 73	143	44	101	192	16	2
90 / 3"	131118L / 131118LASTM	161	113	90 / 88.9	143	44	101	192	16	2
110 / 4"	131119L / 131119LASTM	248	171	110 / 114.3	226	61	157	284	16	

Threaded Connection

mm	Code	B	H	R	E	L	Z	C	PN	Box
32	131113T	99	64	1"	66	22	76	130	16	20
40	131114T	114	76	1-1/4"	81	25	87	148	16	12
50	131115LT	116	90	1-1/2"	100	32	71	140	16	6
63	131116LT	138	106	2"	122	39	90	172	16	6
75	131117LT	161	113	2-1/2"	143	44	101	192	16	2
90	131118LT	161	113	3"	143	44	101	192	16	2
110	131119LT	248	171	4"	226	61	157	284	16	1