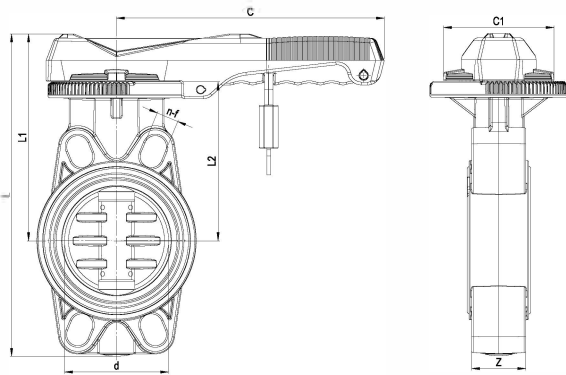


New Product

Butterfly Valve



**Handle from ABS.**

The valve can be positioned in desired angle by the help of handle clutches.

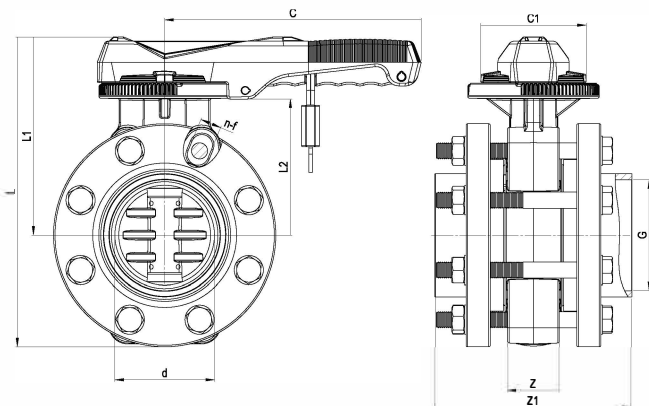
**Liner from EPDM.**

Security padlock hole.

mm	Code	d	C	C1	L	L1	L2	n-F	Z	PN	Box
63	131620	48	190	55	223	143	100	4-19	43	16	1
75	131621	69	189	59	244	152	106	25-21	32	16	1
90	131622	78	240	55	270	160	120	8-19	49	16	1
110	131623	101	255	105	307	195	150	20-30	51	16	1
125	131624	126	255	105	340	215	167	23-29	59	16	1
140	131625	126	255	105	340	215	167	23-29	59	16	1
160	131626	146	310	72	382	239	181	8-23	70	10	1
200	131627	199	310	72	452	280	215	8-23	88	10	1
225	131628	199	310	72	452	280	215	8-23	88	10	1
250	131629	250	310	155	450	325	165	10-25	100	10	1
280	131630	280	310	155	480	340	195	10-25	110	10	1
315	131631	300	320	155	500	350	215	10-25	120	10	1

New Product

Butterfly Valve - Flanged



**Handle from ABS.**

The valve can be positioned in desired angle by the help of handle clutches.

**Liner from EPDM.**

Security padlock hole.

**Complete with flanges, bolts and nuts.**

mm / inch	Code 1 / Code 2	d	C	C1	G / ASTM	L	L1	L2	n-F	Z	PN	Box
63 / -	131600 / -	48	190	55	63 / -	223	143	100	4-19	43	16	
75 / -	131601 / -	69	189	59	75 / -	244	152	106	25-21	32	16	
90 / 3"	131602 / 131602ASTM	78	240	55	90 / 88.9	270	160	120	8-19	49	16	
110 / 4"	131603 / 131603ASTM	101	255	105	110 / 114.3	307	195	150	20-30	51	16	
125 / -	131604 / -	126	255	105	125 / -	340	215	167	23-29	59	16	
140 / -	131605 / -	126	255	105	140 / -	340	215	167	23-29	59	16	
160 / -	131606 / -	146	310	72	160 / -	382	239	181	8-23	70	10	
200 / -	131607 / -	199	310	72	200 / -	452	280	215	8-23	88	10	1
225 / -	131608 / -	199	310	72	225 / -	452	280	215	8-23	88	10	1
250 / -	131609 / -	250	310	155	250 / -	450	325	165	10-25	100	10	1
280 / -	131610 / -	280	310	155	280 / -	480	340	195	10-25	110	10	1
315 / -	131611 / -	300	320	155	315 / -	500	350	215	10-25	120	10	