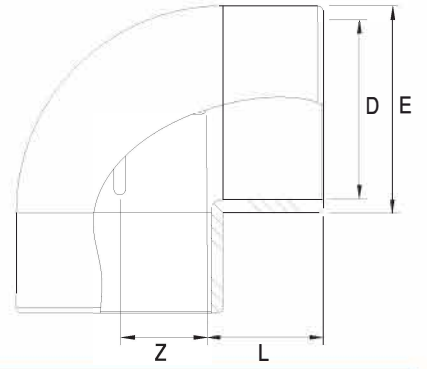
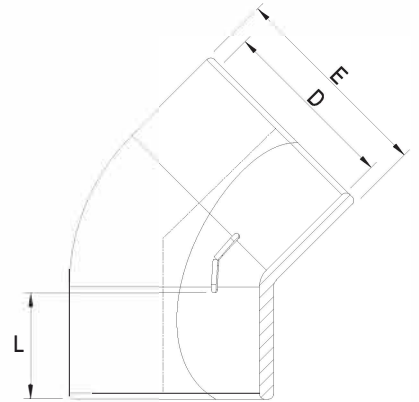


Elbow 90°



mm / inch	Code 1 / Code 2	E	D / ASTM	L	Z	PN	Box
20 / -	133101 / -	25	20 / -	16	11	16	250
25 / -	133102 / -	31	25 / -	19	13	16	400
32 / 1"	133103 / 133103ASTM	39	32 / 33.40	22	17	16	250
40 / -	133104 / -	48	49 / -	26	23	16	144
50 / 1-1/2"	133105 / 133105ASTM	58	50 / 48.26	30	20	16	180
63 / 2"	133106 / 133106ASTM	74	63 / 60.33	38	30	16	100
75 / -	133107 / -	87	75 / -	44	38	16	80
90 / 3"	133108 / 133108ASTM	104	90 / 88.90	50	44	16	50
110 / 4"	133109 / 133109ASTM	124	110 / 114.30	60	57	16	30
125 / -	133110 / -	139	125 / -	69	67	16	16
140 / -	133111 / -	155	140 / -	76	71	16	12
160 / -	133112 / -	180	160 / -	75	86	16	8
200 / -	133113 / -	222	200 / -	106	106.5	10	4
225 / -	133114 / -	246	225 / -	119	115.5	10	2
250 / -	133115 / -	279	250 / -	131	128	10	1
280 / -	133116 / -	317	280 / -	150	140	10	1
315 / -	133117 / -	352	315 / -	164	161.5	10	1

Elbow 45°



mm / inch	Code 1 / Code 2	E	D / ASTM	L	PN	Box	Price
20 / -	133201 / -	25	20 / -	6	16	600	
25 / -	133202 / -	31	25 / -	19	16	500	
32 / -	133203 / -	39	32 / -	22	16	320	
40 / -	133204 / -	48	49 / -	26	16	150	
50 / 1-1/2"	133205 / 133205ASTM	58	50 / 48.26	30	16	225	
63 / 2"	133206 / 133206ASTM	74	63 / 60.33	34	16	150	
75 / -	133207 / -	87	75 / -	44	16	100	
90 / 3"	133208 / 133208ASTM	104	90 / 88.90	56	16	50	
110 / -	133209 / -	124	110 / -	62	16	30	
125 / -	133210 / -	139	125 / -	67	16	18	
140 / -	133211 / -	155	140 / -	77	16	15	
160 / -	133212 / -	180	160 / -	86	16	9	
200 / -	133213 / -	222	200 / -	108	10	4	
225 / -	133214 / -	246	225 / -	199.6	10	2	
250 / -	133215 / -	279	250 / -	131	10		
280 / -	133216 / -	317	280 / -	150	10		
315 / -	133217 / -	352	315 / -	164	10		