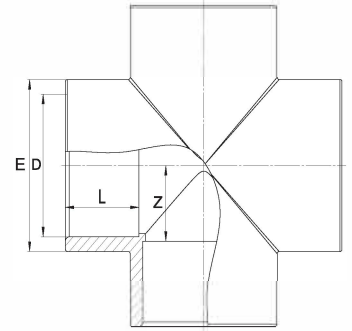
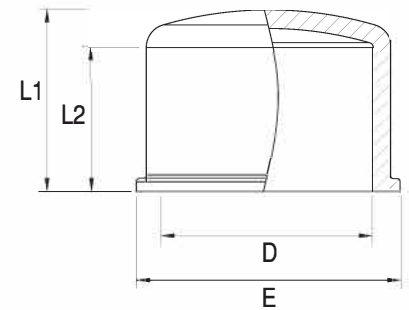


Cross



D	Code	E	L	Z	PN
32	133321	38.5	23	17	16
40	133322	48	29	23	16
50	133323	59	33	28	16
63	133324	72	38	34	16
75	133325	85	44	41	16
90	133326	101	51	46	16
110	133327	122	61	55	16
125	133328	139	69	67	16
140	133329	156	76	71	16
160	133330	180	86	86	16
200	133331	220	106	101	10
225	133332	246	118	114	10
250	133333	276	131	132	10
280	133334	317	146	152	10
315	133335	352	163	168	10

Cap



mm / inch	Code 1 / Code 2	D / ASTM	E	L1	L2	PN	Box
20 / -	133701 / -	20 / -	26	20	16	16	200
25 / -	133702 / -	25 / -	31	26	19	16	1000
32 / -	133703 / -	32 / -	36	32	22	16	600
40 / -	133704 / -	40 / -	46	37	27	16	360
50 / 1-1/2"	133705 / 133705ASTM	50 / 48.3	64	45	30	16	262
63 / 2"	133706 / 133706ASTM	63 / 60.3	80	55	43	16	130
75 / 2-1/2"	133707 / 133707ASTM	75 / 73	86	60	48	16	80
90 / 3"	133708 / 133708ASTM	90 / 88.9	103	67	57	16	46
110 / 4"	133709 / 133709ASTM	110 / 114.3	126	82	66	16	33
125 / -	133711 / -	125 / -	145	118	69	16	20
140 / -	133712 / -	140 / -	163	129	79	16	11
160 / -	133713 / -	160 / -	185	141	89	10	8
200 / -	133714 / -	200 / -	223.5	147	106	10	6
225 / -	133715 / -	225 / -	251	162.5	119	10	5
250 / -	133716 / -	250 / -	279	183	131	10	4
280 / -	133717 / -	280 / -	315	200	140	10	4
315 / -	133718 / -	315 / -	352	228	164	10	-